



# Slash Parts List

Parts shown in bold are optional accessories. Part categories and individual part listings are arranged alphabetically. Prices are shown in US Dollars.

## Bearings & Bushings

4607	Ball bearings (5x11x4mm) (8)	\$24.00
<b>2728</b>	<b>Ball bearings (5x8x2.5mm) (2)</b>	<b>\$8.00</b>
5116	Ball bearings, blue rubber sealed (5x11x4mm) (2)	\$3.50
<b>5114</b>	<b>Ball bearings, blue rubber sealed (5x8x2.5mm) (2)</b>	<b>\$4.00</b>
2545	Bellcrank bushings (plastic) (5x8x2.5mm) (4)	\$3.00
3934	Body clips, heavy duty (12)	\$3.00
1675	Oilite bushings (5x11x4mm) (14)	\$5.00
1985	Teflon washers, 5x8x0.5mm (20) (use with ball bearings)	\$2.00

## Body & Accessories

<b>1926</b>	<b>Antenna caps, vinyl (2)/ antenna spool</b>	<b>\$2.00</b>
<b>1726</b>	<b>Antenna, tube (1)/ vinyl antenna cap (1)/ wire retainer (1)</b>	<b>\$1.00</b>
3727	Battery hold-down plate (black)/ metal posts (2)/body clips (2)	\$3.00
3935	Body clip (mounting clip), angled, 90-degrees (10)	\$3.00
3934	Body clips, heavy duty (12)	\$3.00
1914X	Body mount, front & rear (black)/ body posts, 38mm (2), 25mm (2), 6.5mm (2)/ hardware	Call
1815	Body washers (8)	\$2.00
5811X	Body, Slash, Prographix (replacement for painted body. Graphics are printed, requires paint & final color application)/ velcro/ decal sheet	Call
5811	Body, Slash/Slayer (clear, untrimmed, requires painting)/ window masks	\$35.00
<b>2514</b>	<b>Decal sheet, racing sponsors</b>	<b>\$3.00</b>
5813	Decal Sheet, Slash	\$11.00
<b>9950</b>	<b>Official Team Traxxas racing decal set (flag logo/ 6-color)</b>	<b>\$4.50</b>
<b>5185</b>	<b>Tires, rubber (2) (fits Traxxas wheelie bar wheels)</b>	<b>\$7.00</b>
<b>4974</b>	<b>Wheelie bar arm (1) connector (1) 3x12 SS (hex drive) (4)</b>	<b>\$10.00</b>
3677	Wheelie bar mount (1)/ hardware (Stampede, Rustler, Bandit series)	\$4.00
<b>3678</b>	<b>Wheelie bar, assembled (fits Stampede, Rustler, Bandit series)</b>	<b>\$15.00</b>
<b>4976</b>	<b>Wheels (4) Axles (2), for Maxx wheelie bar</b>	<b>\$4.00</b>
<b>5186A</b>	<b>Wheels, aluminum (blue-anodized) (2)/ 5x8mm ball bearings (4)/ axles (2)/ rubber tires (2)</b>	<b>\$19.95</b>
<b>5186</b>	<b>Wheels, aluminum (red-anodized) (2)/ 5x8mm ball bearings (4)/ axles (2)/ rubber tires (2)</b>	<b>\$19.95</b>

## Chassis & Attachments

5526	Antenna crimp nut, aluminum (blue-anodized)/ antenna nut tools	\$4.00
3727	Battery hold-down plate (black)/ metal posts (2)/body clips (2)	\$3.00
<b>3727A</b>	<b>Battery hold-down plate (grey) / metal posts (2) / body clips (2)</b>	<b>\$3.00</b>
1914X	Body mount, front & rear (black)/ body posts, 38mm (2), 25mm (2), 6.5mm (2)/ hardware	Call
5624	Box, receiver (sealed)/ foam pad/ silicone grease/ 3x8mm BCS (2)/ 2.5x8mm CS (2)/ 3x6mm BCS (2)	\$12.00
5835	Bumper, front/ bumper mount, front (black)	\$10.00
5836	Bumper, rear/ bumper mount, rear (black)	\$10.00
5822	Chassis, Slash	\$18.00
5827	Hold down, battery/ hold down retainer/ battery post/ foam spacer/ angled body clip	\$6.00
5827X	Hold down, battery/ hold down retainer/ battery post/ foam spacer/ angled body clip (allows for installation of taller, multi-cell batteries)	\$6.00
5823	Nerf bars, chassis (black)	\$4.00
5625	Seal kit, receiver box (includes o-ring, seals, and silicone grease)	\$4.00
5837	Skidplates, front & rear (black)	\$8.00
<b>5185</b>	<b>Tires, rubber (2) (fits Traxxas wheelie bar wheels)</b>	<b>\$7.00</b>
<b>4974</b>	<b>Wheelie bar arm (1) connector (1) 3x12 SS (hex drive) (4)</b>	<b>\$10.00</b>
3677	Wheelie bar mount (1)/ hardware (Stampede, Rustler, Bandit series)	\$4.00
<b>3678</b>	<b>Wheelie bar, assembled (fits Stampede, Rustler, Bandit series)</b>	<b>\$15.00</b>
<b>4976</b>	<b>Wheels (4) Axles (2), for Maxx wheelie bar</b>	<b>\$4.00</b>
<b>5186A</b>	<b>Wheels, aluminum (blue-anodized) (2)/ 5x8mm ball bearings (4)/ axles (2)/ rubber tires (2)</b>	<b>\$19.95</b>
<b>5186</b>	<b>Wheels, aluminum (red-anodized) (2)/ 5x8mm ball bearings (4)/ axles (2)/ rubber tires (2)</b>	<b>\$19.95</b>

## Differential Components

2381X	Main diff with steel ring gear/ side cover plate/ screws (Bandit, Stampede, Rustler)	\$6.00
2382	Planet gears (4)/ planet shafts (4)/ sun gears (2)/sun gear alignment shaft (1) all hardened steel	\$6.00
2388X	Planetary gear differential with steel ring gear (complete) (fits Bandit, Stampede, Rustler)	\$15.00

5169	Screws, 2.6x8mm countersunk machine (6)	\$2.00
1647	Silicone grease	\$2.00

## Driveline Components

5116	Ball bearings, blue rubber sealed (5x11x4mm) (2)	\$3.50
4628R	Differential output yokes, black (2)/ 3x5mm countersunk screws (2)/ screw pin (2)	\$4.00
<b>4628X</b>	<b>Differential output yokes, hardened steel (w/ U-joints) (2)</b>	<b>\$19.50</b>
<b>1953</b>	<b>Half shaft pro-pack (internal-splined (6)/ external-splined (6) (plastic shafts only)</b>	<b>\$10.00</b>
1951	Half shafts, long truck (external-splined (2) & internal-splined (2)/ metal U-joints (4)	\$6.00
3752	Stub axle carriers (2) (requires 5x11x4mm bearings)	\$3.00
<b>3652A</b>	<b>Stub axle carriers, Rustler/Stampede/Bandit (2), 6061-T6 aluminum (blue-anodized)/ 5x11mm ball bearings (4)</b>	<b>\$35.00</b>
<b>3652X</b>	<b>Stub axle carriers, Rustler/Stampede/Bandit (2), 6061-T6 aluminum (red-anodized)/ 5x11mm ball bearings (4)</b>	<b>\$35.00</b>
2754	Stub axle pins (4)	\$1.00
2753X	Stub axles, rear (2)	\$5.00

## Front Suspension & Steering

3637	Axles (front) (2)	\$3.00
<b>2728</b>	<b>Ball bearings (5x8x2.5mm) (2)</b>	<b>\$8.00</b>
2545	Bellcrank bushings (plastic) (5x8x2.5mm) (4)	\$3.00
<b>2530</b>	<b>Bulkhead (front) (black)</b>	<b>\$6.00</b>
2530A	Bulkhead (front) (grey)	\$6.00
3632	Caster blocks (l&r) (30-degree)	\$4.00
<b>3632A</b>	<b>Caster blocks, 30-degree, blue-anodized 6061-T6 aluminum (left &amp; right)</b>	<b>\$24.00</b>
<b>3632X</b>	<b>Caster blocks, 30-degree, red-anodized 6061-T6 aluminum (left &amp; right)</b>	<b>\$24.00</b>
5347	Rod ends, Revo (large) with hollow balls (12)	\$9.00
3646	Screws, 3x15mm flat-head machine (hex drive) (6)	\$2.50
3744	Servo saver w/ adapters	\$4.00
3639	Shock tower (front)	\$4.00
3736	Steering blocks, left & right (2) (requires 5x11x4mm bearings)	\$3.00
<b>3636A</b>	<b>Steering blocks, Rustler/Stampede/Bandit (2), 6061-T6 aluminum (blue-anodized)/ 5x11mm ball bearings (4)</b>	<b>\$35.00</b>
<b>3636X</b>	<b>Steering blocks, Rustler/Stampede/Bandit (2), 6061-T6 aluminum (red-anodized)/ 5x11mm ball bearings (4)</b>	<b>\$35.00</b>
3631	Suspension arms (front) (2)	\$8.00
2640	Suspension pins, 44mm (2) w/ E-clips	\$2.50
3640	Suspension screw pin set, steel (hex drive) (requires part # 2640 for a complete suspension pin set) (Rustler, Stampede, Bandit)	\$4.50
2532	Tie bar, fiberglass	\$4.00
1935	Turnbuckles, 36mm (2)	\$2.00
<b>3139A</b>	<b>Turnbuckles, aluminum (blue-anodized), toe links, 59mm (2) (assembled w/ rod ends &amp; hollow balls) (requires 5mm aluminum wrench #5477)</b>	<b>\$12.00</b>
<b>3139X</b>	<b>Turnbuckles, aluminum (red-anodized), toe links, 59mm (2) (assembled with rod ends &amp; hollow balls) (fits Rustler) (requires 5mm aluminum wrench #5477)</b>	<b>\$12.00</b>
3644	Turnbuckles, camber link, 39mm (69mm center to center) (assembled with rod ends and hollow balls) (1 left, 1 right) (fits front & rear on Slash)	\$7.00
3745	Turnbuckles, toe link, 59mm (78mm center to center) (2) (assembled with rod ends and hollow balls)	\$8.00

## Hardware

1926	Antenna caps, vinyl (2)/ antenna spool	\$2.00
1726	Antenna, tube (1)/ vinyl antenna cap (1)/ wire retainer (1)	\$1.00
3935	Body clip (mounting clip), angled, 90-degrees (10)	\$3.00
3934	Body clips, heavy duty (12)	\$3.00
1589	Double-sided adhesive tape (25mm x 25mm) (2)	\$1.00
1633	E-clips/ C-rings	\$2.00
4859	Flathead engine mount screws 3x10, hex head, machine	\$1.75
2745	Nuts, 3mm nylon locking (12)	\$2.00
3647	Nuts, 4mm flanged nylon locking (steel, serrated) (8)	\$3.25
1747	Nuts, 4mm nylon locking (10)	\$2.00
5525	Rod ends (12)/ hollow balls (12)	\$9.00
5347	Rod ends, Revo (large) with hollow balls (12)	\$9.00
2742X	Rod ends, short (6)/ hollow balls (6)	\$4.00
3347	Screws, 2.5x5mm button-head machine (hex drive) (6)	\$2.50
3215	Screws, 2.5x6mm cap-head machine (hex drive) (6)	\$2.00
3965	Screws, 2.5x8mm cap-head machine (6)	\$2.50
2577	Screws, 3x10mm button-head machine (hex drive) (6)	\$2.50
2578	Screws, 3x12mm button-head machine (hex drive) (6)	\$2.50
2552	Screws, 3x12mm countersunk machine (6) (hex drive)	\$2.50

**Page 2 Slash Parts List**

2579	Screws, 3x15mm button-head machine (hex drive) (6) .....	\$2.50
2586	Screws, 3x15mm cap-head machine (hex drive) (6).....	\$2.50
3646	Screws, 3x15mm flat-head machine (hex drive) (6).....	\$2.50
2583	Screws, 3x18mm button-head machine (hex drive) (6) .....	\$2.50
2580	Screws, 3x20mm button-head machine (hex drive) (6) .....	\$2.50
2591	Screws, 3x23mm button-head machine (hex drive) (6) .....	\$2.50
2582	Screws, 3x30mm button-head machine (hex drive) (6) .....	\$2.50
2592	Screws, 3x40mm button-head machine (hex drive) (6) .....	\$3.00
2575	Screws, 3x6mm button-head machine (hex drive) (6) .....	\$2.50
3932	Screws, 3x6mm flat-head machine (hex drive) (6).....	\$2.50
2576	Screws, 3x8mm button-head machine (hex drive) (6) .....	\$2.50
3931	Screws, 3x8mm flat-head machine (hex drive) (6).....	\$2.50
3937	Screws, 4x12mm button-head machine (hex drive) (6) .....	\$2.50
2542	Screws, 4x12mm countersunk machine (hex drive) (6) .....	\$2.50
2546	Screws, 4x15mm countersunk machine (hex drive) (6) .....	\$2.50
2743	Set (grub) screws, 3mm hardened (12) .....	\$3.00
5529	Shim set, 3x7x1mm (2), 3x6x0.5mm (4), 3x7x2mm (2)/ hollow balls, captured (4) .....	\$3.50
3742	Shoulder screws, steering bellcranks (3x30mm hex cap) (2)/ draglink shoulder screws (chrome) (2).....	\$2.00
3642X	Shoulder screws, Ultra Shocks (3x12 hex drive) (6).....	\$3.00
2754	Stub axle pins (4) .....	\$1.00
1985	Teflon washers, 5x8x0.5mm (20) (use with ball bearings).....	\$2.00
2746	Washers, 3x6mm metal (12).....	\$1.50
3685	White plastic washers (5x8x1.0mm) (6) .....	\$2.50

**Manuals**

5899	Owners Manual, Slash .....	\$8.00
------	----------------------------	--------

**Motors & Electronics**

<b>3062</b>	<b>Adapter, Traxxas connector female to Molex male (1) (Note: Molex connector not suitable for high current use) .....</b>	<b>\$5.50</b>
<b>3061</b>	<b>Adapter, Traxxas connector male to Molex female (1) (Note: Molex connector not suitable for high current use) .....</b>	<b>\$5.00</b>
1726	Antenna, tube (1)/ vinyl antenna cap (1)/ wire retainer (1).....	\$1.00
<b>3340</b>	<b>Cooling fan, Velineon VXL-3s ESC .....</b>	<b>\$25.00</b>
2072	Gears set (for 2070, 2075 servos) .....	\$4.00
3785	Motor, Titan 12T (12-Turn, 550 size) .....	\$26.00
<b>3351</b>	<b>Motor, Velineon 3500, brushless (assembled with 12-gauge wire and gold-plated bullet connectors) .....</b>	<b>\$120.00</b>
3347	Screws, 2.5x5mm button-head machine (hex drive) (6) .....	\$2.50
3931	Screws, 3x8mm flat-head machine (hex drive) (6).....	\$2.50
2074	Servo case/gaskets (for 2056 and 2075 waterproof servos) .....	\$6.00
2075	Servo, digital high-torque (ball bearing), waterproof .....	\$46.00
<b>3080</b>	<b>Traxxas Connector (female) (2) .....</b>	<b>\$4.75</b>
3070	Traxxas Connector (male) (2) .....	\$3.75
<b>3060</b>	<b>Traxxas Connector (male/female) (1) .....</b>	<b>\$4.25</b>
<b>3350</b>	<b>Velineon VXL-3s Brushless Power System (includes VXL-3s ESC, Velineon 3500 motor, and speed control mounting plate (part #3725)) .....</b>	<b>\$300.00</b>
<b>3355</b>	<b>VXL-3s Electronic Speed Control (brushless) (fwd/rev/brake) .....</b>	<b>\$220.00</b>
3016	XL-10 Electronic Speed Control (land version, fwd/rev/brake, 150 amp).....	\$99.95
3018X	XL-5 Electronic Speed Control, sealed (land version, fwd/rev/brake) .....	Call

**Radio System**

5526	Antenna crimp nut, aluminum (blue-anodized)/ antenna nut tools...	\$4.00
2030	Crystal holders, transmitter & receiver/ decal sheet.....	\$2.00
2072	Gears set (for 2070, 2075 servos) .....	\$4.00
2216	Receiver, micro, 4-channel .....	\$40.00
3932	Screws, 3x6mm flat-head machine (hex drive) (6).....	\$2.50
2074	Servo case/gaskets (for 2056 and 2075 waterproof servos) .....	\$6.00
2075	Servo, digital high-torque (ball bearing), waterproof .....	\$46.00
<b>3355</b>	<b>VXL-3s Electronic Speed Control (brushless) (fwd/rev/brake) .....</b>	<b>\$220.00</b>
3018X	XL-5 Electronic Speed Control, sealed (land version, fwd/rev/brake) .....	Call

**Rear Suspension**

3638	Shock tower (rear).....	\$4.50
3752	Stub axle carriers (2) (requires 5x11x4mm bearings).....	\$3.00
<b>3652A</b>	<b>Stub axle carriers, Rustler/Stampede/Bandit (2), 6061-T6 aluminum (blue-anodized)/ 5x11mm ball bearings (4).....</b>	<b>\$35.00</b>
<b>3652X</b>	<b>Stub axle carriers, Rustler/Stampede/Bandit (2), 6061-T6 aluminum (red-anodized)/ 5x11mm ball bearings (4) .....</b>	<b>\$35.00</b>
2753X	Stub axles, rear (2).....	\$5.00
2555	Suspension arms, (rear) (2).....	\$10.00
3640	Suspension screw pin set, steel (hex drive) (requires part # 2640 for a complete suspension pin set) (Rustler, Stampede, Bandit)....	\$4.50
3644	Turnbuckles, camber link, 39mm (69mm center to center) (assembled with rod ends and hollow balls) (1 left, 1 right) (fits front & rear on Slash).....	\$7.00

**Shocks (Aluminum)**

<b>1965</b>	<b>Piston head set, (2 sets of 3 types)/ shock collars (2)/ spring retainers (2) .....</b>	<b>\$2.50</b>
1942	Rod ends (16 long & 4 short)/ hollow ball connectors (18)/ ball screws (2) .....	\$7.00
2742X	Rod ends, short (6)/ hollow balls (6) .....	\$4.00
<b>2760</b>	<b>Shock caps, aluminum (2) .....</b>	<b>\$7.00</b>
<b>1664T</b>	<b>Shock shafts, hardened steel, titanium nitride coated (long) (2) .....</b>	<b>\$10.00</b>
<b>2765T</b>	<b>Shock shafts, hardened steel, titanium nitride coated (X-long) (2).....</b>	<b>\$10.00</b>
1664	Shock shafts, steel, chrome finish (long) (2).....	\$3.00
<b>2765</b>	<b>Shock shafts, steel, chrome finish (X-long) (2).....</b>	<b>\$3.00</b>
<b>4760</b>	<b>Shocks, long (hard-anodized &amp; Teflon-coated T6 aluminum) w/o springs (front) (2) .....</b>	<b>\$25.00</b>
<b>4761</b>	<b>Shocks, X-long (hard-anodized &amp; Teflon-coated T6 aluminum) w/o springs (rear) (2) .....</b>	<b>\$25.00</b>
1666	Silicone shock oil (30 wt) .....	\$2.00

**Shocks (Pro-level Aluminum)**

<b>2664</b>	<b>Big Bore shock cylinder (long) (1) .....</b>	<b>\$8.00</b>
<b>2666</b>	<b>Big Bore shock cylinder (XX-long) (1) .....</b>	<b>\$8.00</b>
<b>2660</b>	<b>Big Bore shocks (long) (hard-anodized &amp; Teflon-coated T6 aluminum) (assembled with TiN shafts) w/o springs (front) (2).....</b>	<b>\$30.00</b>
<b>2662</b>	<b>Big Bore shocks (XX-long) (hard-anodized &amp; Teflon-coated T6 aluminum) (assembled with TiN shafts) w/o springs (rear) (2) .....</b>	<b>\$30.00</b>
<b>2669</b>	<b>Piston head set (2-hole (2)/ 3-hole (2))/ shock mounting bushings &amp; washers (2) (Big Bore Shocks) .....</b>	<b>\$2.50</b>
1942	Rod ends (16 long & 4 short)/ hollow ball connectors (18)/ ball screws (2) .....	\$7.00
2742X	Rod ends, short (6)/ hollow balls (6) .....	\$4.00
<b>2667</b>	<b>Shock caps, aluminum (2)/ (Big Bore Shocks, also fits plastic Ultra Shocks).....</b>	<b>\$7.00</b>
<b>2362</b>	<b>Shock rebuild kit (for 2 shocks) .....</b>	<b>\$2.50</b>
<b>1664T</b>	<b>Shock shafts, hardened steel, titanium nitride coated (long) (2) .....</b>	<b>\$10.00</b>
<b>2656T</b>	<b>Shock shafts, hardened steel, titanium nitride coated (xx-long) (2)....</b>	<b>\$10.00</b>
1664	Shock shafts, steel, chrome finish (long) (2).....	\$3.00
2656	Shock shafts, steel, chrome finish (xx-long) (2) .....	\$3.00
1765	Silicone diaphragms (4).....	\$2.00
1666	Silicone shock oil (30 wt) .....	\$2.00
<b>2668</b>	<b>Spring retainers, upper &amp; lower (2)/ spring pre-load spacers: 1mm (4)/ 1.5mm (2)/ 2mm (2)/ 4mm (2)/ 8mm (2) (Big Bore Shocks) .....</b>	<b>\$5.50</b>

**Shocks (Ultra Shocks)**

3642	Attachment screws, shock (3x12mm shoulder screws) (6) .....	\$3.00
3765A	Body, Ultra Shock(s) (long) (grey) (2) .....	\$3.00
3766A	Body, Ultra Shock(s) (XXL) (grey) (2) .....	\$3.00
1942	Rod ends (16 long & 4 short)/ hollow ball connectors (18)/ ball screws (2)....	\$7.00
2742X	Rod ends, short (6)/ hollow balls (6) .....	\$4.00
3767	Shock caps (2)/ shock bottoms (2) .....	\$3.00
<b>2667</b>	<b>Shock caps, aluminum (2)/ (Big Bore Shocks, also fits plastic Ultra Shocks).....</b>	<b>\$7.00</b>
<b>2362</b>	<b>Shock rebuild kit (for 2 shocks) .....</b>	<b>\$2.50</b>
<b>1664T</b>	<b>Shock shafts, hardened steel, titanium nitride coated (long) (2) .....</b>	<b>\$10.00</b>
<b>2656T</b>	<b>Shock shafts, hardened steel, titanium nitride coated (xx-long) (2)....</b>	<b>\$10.00</b>
<b>1664</b>	<b>Shock shafts, steel, chrome finish (long) (2) .....</b>	<b>\$3.00</b>
2656	Shock shafts, steel, chrome finish (xx-long) (2) .....	\$3.00
1765	Silicone diaphragms (4).....	\$2.00
1666	Silicone shock oil (30 wt) .....	\$2.00
3769	Spring pre-load spacers: 1mm (4)/ 2mm (2)/ 4mm (2)/ 8mm (2) .....	\$4.00
3768	Spring retainers, upper & lower (2)/ piston head set (2-hole (2)/ 3-hole (2))....	\$3.00
<b>2458</b>	<b>Springs, front (black) (2) .....</b>	<b>\$2.00</b>
<b>2458A</b>	<b>Springs, front (white) (2) .....</b>	<b>\$4.00</b>
5857	Springs, front (white) (progressive rate) (2) .....	\$5.00
<b>3757</b>	<b>Springs, rear (black) (2) .....</b>	<b>\$2.00</b>
<b>3757X</b>	<b>Springs, rear (white) (2).....</b>	<b>\$4.00</b>
5858	Springs, rear (white) (progressive rate) (2).....	\$5.00
<b>4957</b>	<b>Springs, red (for Ultra Shocks only) (2.5 rate) (f/r) (2).....</b>	<b>\$2.50</b>
<b>3760</b>	<b>Ultra Shocks (black) (long) (complete w/ spring pre-load spacers &amp; springs) (front) (2) .....</b>	<b>\$18.00</b>
<b>3762</b>	<b>Ultra Shocks (black) (xx-long) (complete w/ spring pre-load spacers &amp; springs) (rear) (2).....</b>	<b>\$18.00</b>
3760A	Ultra Shocks (grey) (long) (complete w/ spring pre-load spacers & springs) (2).....	\$18.00
3762A	Ultra Shocks (grey) (xx-long) (complete w/ spring pre-load spacers & springs) (rear) (2).....	\$18.00

**Slipper Clutch Components**

3793	Input shaft (slipper shaft) / spring pin .....	\$3.00
5552	Rebuild kit, slipper clutch (steel disc/ friction pads (3)/ spring/ pin/ 4.0mm NL) .....	\$8.00

**Page 3 Slash Parts List**

2554	Screws, 3x6mm cap-head machine (hex drive) (6).....	\$2.50
5556	Slipper pressure plate & hub (aluminum alloy).....	\$8.00

**Spur Gears & Pinion Gears**

<b>2416</b>	<b>Gear, 16-T pinion (48-pitch) / set screw .....</b>	<b>\$3.50</b>
<b>1918</b>	<b>Gear, 18-T pinion (48-pitch) / set screw .....</b>	<b>\$3.00</b>
2419	Gear, 19-T pinion (48-pitch) / set screw .....	\$3.00
<b>2423</b>	<b>Gear, 23-T pinion (48-pitch) / set screw .....</b>	<b>\$3.00</b>
<b>2426</b>	<b>Gear, 26-T pinion (48-pitch)/set screw .....</b>	<b>\$3.00</b>
<b>2431</b>	<b>Gear, 31-T pinion (48-pitch) / set screw .....</b>	<b>\$3.00</b>
<b>4725</b>	<b>Gear, pinion (25-tooth) (48-pitch) / set screw .....</b>	<b>\$3.00</b>
<b>4728</b>	<b>Gear, pinion (28-tooth) (48-pitch)/ set screw .....</b>	<b>\$3.00</b>
<b>4683</b>	<b>Spur gear, 83-tooth (48-pitch) (for models with Torque-Control slipper clutch).....</b>	<b>\$3.00</b>
4686	Spur gear, 86-tooth (48-pitch) (for models with Torque-Control slipper clutch).....	\$3.00
<b>4690</b>	<b>Spur gear, 90-tooth (48-pitch) (for models with Torque-Control slipper clutch).....</b>	<b>\$3.00</b>

**Steering Components**

<b>2728</b>	<b>Ball bearings (5x8x2.5mm) (2) .....</b>	<b>\$8.00</b>
2545	Bellcrank bushings (plastic) (5x8x2.5mm) (4).....	\$3.00
2742	Rod ends, long (6) hollow ball connectors (6).....	\$4.00
5347	Rod ends, Revo (large) with hollow balls (12).....	\$9.00
3744	Servo saver w/ adapters .....	\$4.00
3742	Shoulder screws, steering bellcranks (3x30mm hex cap) (2)/ draglink shoulder screws (chrome) (2).....	\$2.00
3743	Steering bellcranks (l&r)/ draglink.....	\$4.00
<b>3743A</b>	<b>Steering bellcranks, drag link (blue-anodized T6 aluminum)/ 5x8mm ball bearings (4) hardware (assembled) .....</b>	<b>\$34.00</b>
<b>3743X</b>	<b>Steering bellcranks, drag link (red-anodized T6 aluminum)/ 5x8mm ball bearings (4) hardware (assembled) .....</b>	<b>\$34.00</b>
1985	Teflon washers, 5x8x0.5mm (20) (use with ball bearings).....	\$2.00
1935	Turnbuckles, 36mm (2) .....	\$2.00
<b>3139A</b>	<b>Turnbuckles, aluminum (blue-anodized), toe links, 59mm (2) (assembled w/ rod ends &amp; hollow balls) (requires 5mm aluminum wrench #5477) .....</b>	<b>\$12.00</b>
<b>3139X</b>	<b>Turnbuckles, aluminum (red-anodized), toe links, 59mm (2) (assembled with rod ends &amp; hollow balls) (fits Rustler) (requires 5mm aluminum wrench #5477) .....</b>	<b>\$12.00</b>
3745	Turnbuckles, toe link, 59mm (78mm center to center) (2) (assembled with rod ends and hollow balls).....	\$8.00
2746	Washers, 3x6mm metal (12).....	\$1.50

**Suspension Linkage**

5525	Rod ends (12) hollow balls (12) .....	\$9.00
5347	Rod ends, Revo (large) with hollow balls (12).....	\$9.00
3739	Screw pin set (Rustler/ Bandit/ Stampede).....	\$4.50
3744	Servo saver w/ adapters .....	\$4.00
5529	Shim set, 3x7x1mm (2), 3x6x0.5mm (4), 3x7x2mm (2) hollow balls, captured (4) .....	\$3.50
2640	Suspension pins, 44mm (2) w/ E-clips.....	\$2.50
3640	Suspension screw pin set, steel (hex drive) (requires part # 2640 for a complete suspension pin set) (Rustler, Stampede, Bandit).....	\$4.50
2537	Threaded rods (20/25/44mm 1 ea.) (1) 12mm set screw .....	\$2.50
<b>3737A</b>	<b>Turnbuckle, aluminum (blue-anodized), 39mm (1)(assembled w/rod ends)/hollow balls (2) (fits front &amp; rear on Slash).....</b>	<b>\$6.00</b>
<b>3737</b>	<b>Turnbuckle, aluminum (red-anodized), 39mm (1) (assembled w/rod ends)/hollow balls (2) (fits front &amp; rear on Slash).....</b>	<b>\$6.00</b>
<b>3741A</b>	<b>Turnbuckles, aluminum (blue-anodized), camber links, front, 39mm (2), rear, 49mm (2) (assembled w/rod ends &amp; hollow balls)/ wrench.....</b>	<b>\$22.00</b>
<b>3139A</b>	<b>Turnbuckles, aluminum (blue-anodized), toe links, 59mm (2) (assembled w/ rod ends &amp; hollow balls) (requires 5mm aluminum wrench #5477) .....</b>	<b>\$12.00</b>
<b>3741X</b>	<b>Turnbuckles, aluminum (red-anodized), camber links, front, 39mm (2), rear, 49mm (2) (assembled w/ rod ends &amp; hollow balls)/wrench.....</b>	<b>\$22.00</b>
<b>3139X</b>	<b>Turnbuckles, aluminum (red-anodized), toe links, 59mm (2) (assembled with rod ends &amp; hollow balls) (fits Rustler) (requires 5mm aluminum wrench #5477) .....</b>	<b>\$12.00</b>
3644	Turnbuckles, camber link, 39mm (69mm center to center) (assembled with rod ends and hollow balls) (1 left, 1 right) (fits front & rear on Slash).....	\$7.00
3745	Turnbuckles, toe link, 59mm (78mm center to center) (2) (assembled with rod ends and hollow balls).....	\$8.00

**Team Traxxas Items**

<b>2514</b>	<b>Decal sheet, racing sponsors .....</b>	<b>\$3.00</b>
<b>6160X</b>	<b>DVD, Maxx Power! Full Throttle Action (sleeve) .....</b>	<b>\$12.99</b>
<b>9950</b>	<b>Official Team Traxxas racing decal set (flag logo/ 6-color) .....</b>	<b>\$4.50</b>
<b>9909</b>	<b>Traxxas racing banner, red &amp; black (3x7 feet).....</b>	<b>\$15.00</b>

**Tires & Wheels**

5116	Ball bearings, blue rubber sealed (5x11x4mm) (2).....	\$3.50
5114	Ball bearings, blue rubber sealed (5x8x2.5mm) (2).....	\$4.00

3647	Nuts, 4mm flanged nylon locking (steel, serrated) (8) .....	\$3.25
<b>1675</b>	<b>Oilite bushings (5x11x4mm) (14).....</b>	<b>\$5.00</b>
1647	Silicone grease .....	\$2.00
2754	Stub axle pins (4).....	\$1.00
1985	Teflon washers, 5x8x0.5mm (20) (use with ball bearings) .....	\$2.00
5875	Tires & wheels, assembled, glued (SCT, satin chrome wheels, (dual profile 2.2" outer 3.0" inner), SCT off-road racing tires, foam inserts) (2) (front) .....	\$25.00
5873	Tires & wheels, assembled, glued (SCT, satin chrome wheels, (dual profile 2.2" outer 3.0" inner), SCT off-road racing tires, foam inserts) (2) (rear) .....	\$25.00
5871	Tires, off-road racing, SCT dual profile 4.3x1.7- 2.2/3.0" (2)/ foam inserts (2).....	\$20.00
1654	Wheel hubs, hex (rear) (2)/ stub axle pins (2) .....	\$2.00
3654	Wheel hubs, hex (tall offset, Rustler/Stampede front) (2)/ axle pins (2.5x12mm) (2).....	\$3.00
5874	Wheels, satin chrome, 2.2" (5-spoke, beadlock style) (front) .....	\$8.00
5872	Wheels, satin chrome, 2.2" (5-spoke, beadlock style) (rear) .....	\$8.00
3685	White plastic washers (5x8x1.0mm) (6).....	\$2.50

**Transmission Components**

4607	Ball bearings (5x11x4mm) (8).....	\$24.00
3792	Dust cover/rubber plug (w/ screws) (Stampede/Rustler) .....	\$3.50
5478	Flat wrench, 8mm (blue-anodized aluminum).....	\$4.00
<b>3691</b>	<b>Gearbox halves (l&amp;r) (black) w/ idler gear shaft .....</b>	<b>\$8.00</b>
3691A	Gearbox halves (l&r) (grey) w/ idler gear shaft .....	\$8.00
5148	Grease, white lithium .....	\$3.00
3696	Idler gear, steel (30-tooth) .....	\$3.00
3793	Input shaft (slipper shaft) / spring pin.....	\$3.00
2381X	Main diff with steel ring gear/ side cover plate/ screws (Bandit, Stampede, Rustler).....	\$6.00
<b>1552</b>	<b>Motor screws (3x8mm hex cap) (6)/washers (6)/ wrench.....</b>	<b>\$3.00</b>
2382	Planet gears (4)/ planet shafts (4)/ sun gears (2)/sun gear alignment shaft (1) all hardened steel.....	\$6.00
2388X	Planetary gear differential with steel ring gear (complete) (fits Bandit, Stampede, Rustler).....	\$15.00
5552	Rebuild kit, slipper clutch (steel disc/ friction pads (3)/ spring/ pin/ 4.0mm NL) .....	\$8.00
2554	Screws, 3x6mm cap-head machine (hex drive) (6) .....	\$2.50
3931	Screws, 3x8mm flat-head machine (hex drive) (6) .....	\$2.50
1647	Silicone grease .....	\$2.00
5556	Slipper pressure plate & hub (aluminum alloy).....	\$8.00
3195	Top drive gear, steel (22-tooth) .....	\$3.00

**Turnbuckles & Threaded rods**

5525	Rod ends (12) hollow balls (12) .....	\$9.00
5347	Rod ends, Revo (large) with hollow balls (12) .....	\$9.00
<b>3737A</b>	<b>Turnbuckle, aluminum (blue-anodized), 39mm (1)(assembled w/rod ends)/hollow balls (2) (fits front &amp; rear on Slash) .....</b>	<b>\$6.00</b>
<b>3737</b>	<b>Turnbuckle, aluminum (red-anodized), 39mm (1) (assembled w/rod ends)/hollow balls (2) (fits front &amp; rear on Slash) .....</b>	<b>\$6.00</b>
<b>3741A</b>	<b>Turnbuckles, aluminum (blue-anodized), camber links, front, 39mm (2), rear, 49mm (2) (assembled w/rod ends &amp; hollow balls)/ wrench.....</b>	<b>\$22.00</b>
<b>3139A</b>	<b>Turnbuckles, aluminum (blue-anodized), toe links, 59mm (2) (assembled w/ rod ends &amp; hollow balls) (requires 5mm aluminum wrench #5477).....</b>	<b>\$12.00</b>
<b>3741X</b>	<b>Turnbuckles, aluminum (red-anodized), camber links, front, 39mm (2), rear, 49mm (2) (assembled w/ rod ends &amp; hollow balls)/wrench.....</b>	<b>\$22.00</b>
<b>3139X</b>	<b>Turnbuckles, aluminum (red-anodized), toe links, 59mm (2) (assembled with rod ends &amp; hollow balls) (fits Rustler) (requires 5mm aluminum wrench #5477).....</b>	<b>\$12.00</b>
3644	Turnbuckles, camber link, 39mm (69mm center to center) (assembled with rod ends and hollow balls) (1 left, 1 right) (fits front & rear on Slash).....	\$7.00
3745	Turnbuckles, toe link, 59mm (78mm center to center) (2) (assembled with rod ends and hollow balls) .....	\$8.00

If you have questions or need technical assistance, call Traxxas at:

**1-888-TRAXXAS**

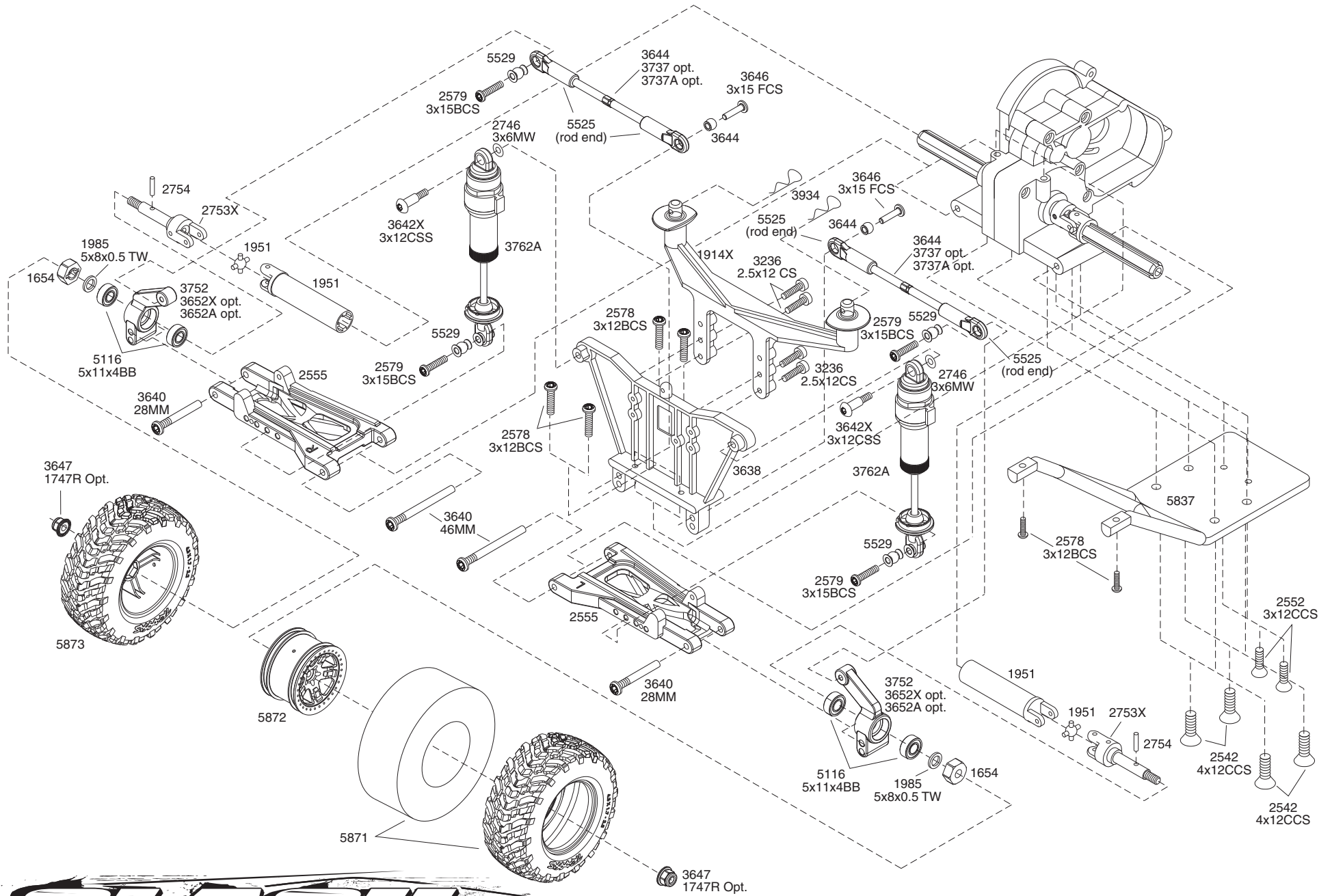
(1-888-872-9927) (U.S. residents only)

For orders, calls outside the U.S., and other information, call 972-265-8000, or fax to 972-265-8011 e-mail Traxxas at support@Traxxas.com

**WWW.TRAXXAS.COM**







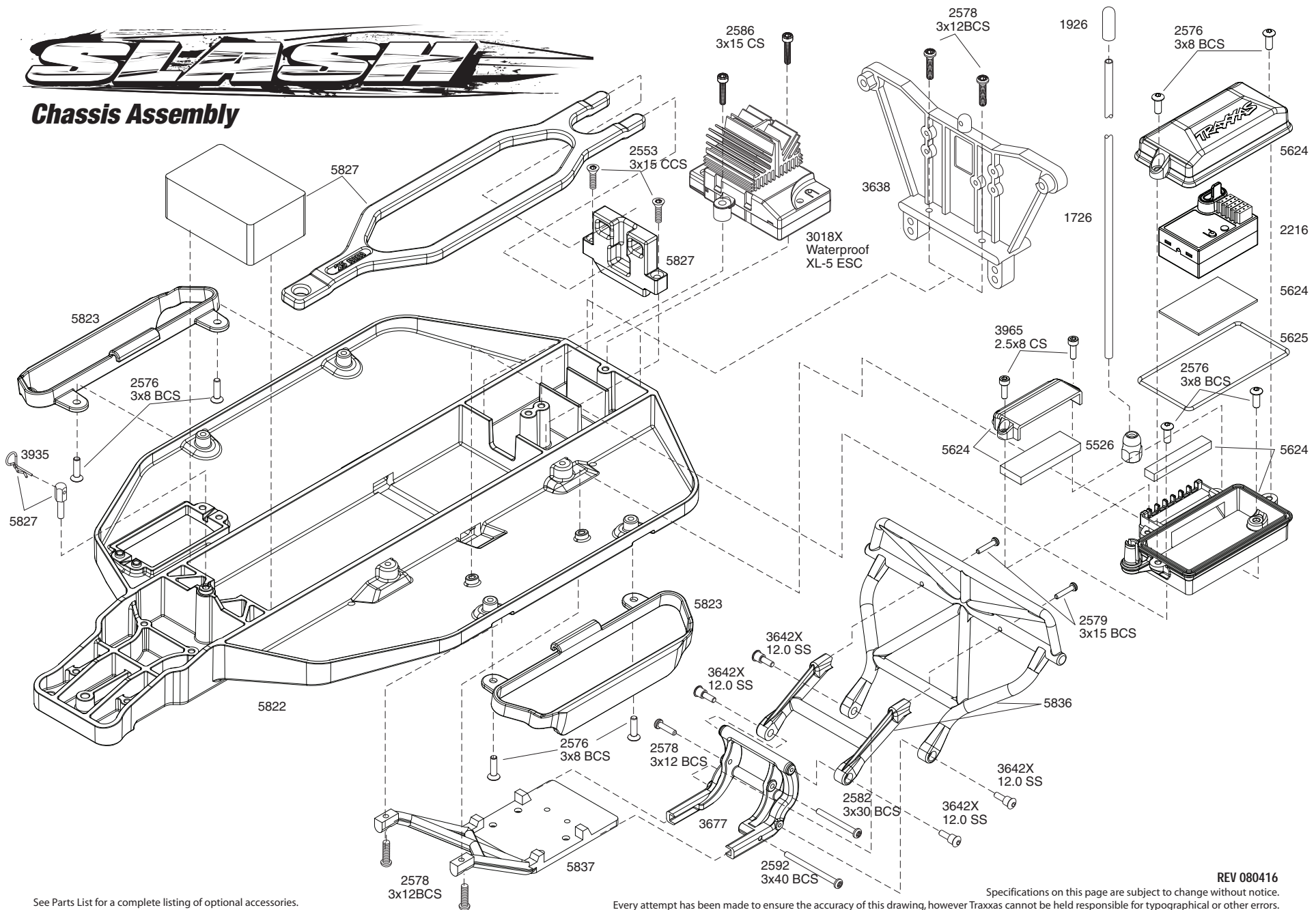
# TRAXXAS

## Rear Assembly

REV 080416  
 Specifications on this page are subject to change without notice.  
 Every attempt has been made to ensure the accuracy of this drawing, however Traxxas cannot be held responsible for typographical or other errors. See Parts List for a complete listing of optional accessories.



# Chassis Assembly

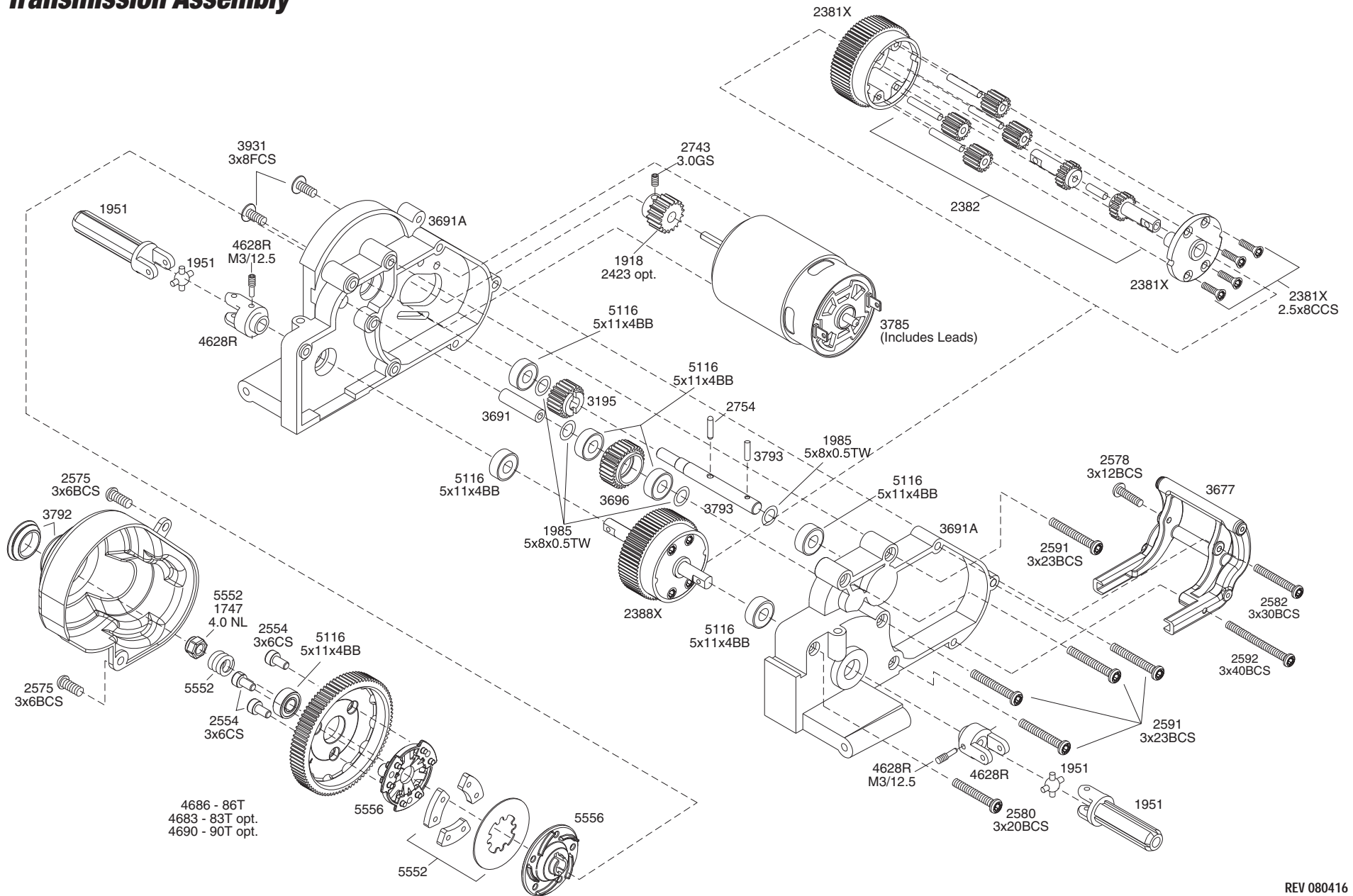


See Parts List for a complete listing of optional accessories.

REV 080416  
Specifications on this page are subject to change without notice.  
Every attempt has been made to ensure the accuracy of this drawing, however Traxxas cannot be held responsible for typographical or other errors.



# Transmission Assembly



See Parts List for a complete listing of optional accessories.

REV 080416  
 Specifications on this page are subject to change without notice.  
 Every attempt has been made to ensure the accuracy of this drawing, however Traxxas cannot be held responsible for typographical or other errors.